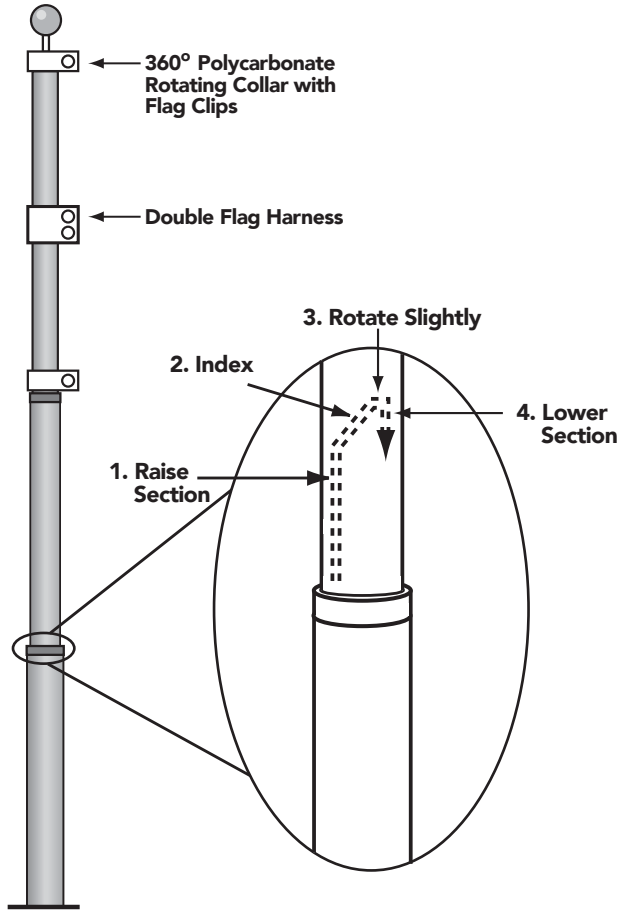




TELESCOPING FLAGPOLE USAGE INSTRUCTIONS



INSTALLATION INSTRUCTIONS

STEP 1: Slide the flagpole into the ground sleeve, making sure that no dirt enters the ground sleeve.

STEP 2: Attach the flag to the rotating collars and raise the pole section.

REMEMBER: Your AEP telescoping flagpole can be removed when severe weather is pending.

OPERATING INSTRUCTIONS

STEP 1: To raise the flagpole; first raise the smallest section to its full extent allowing it to self index; slightly rotate counter clockwise; then lower to engage locking tabs. It is not necessary to exert force to lock each section in place. Repeat with remaining sections.

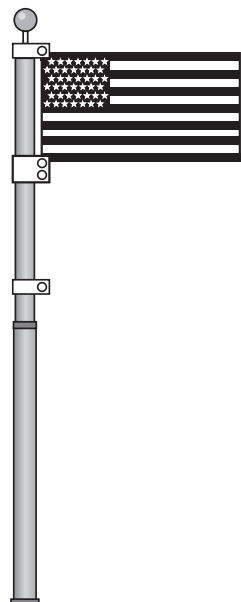
STEP 2: To lower the pole; reverse the procedure in Step 1. Each section of the pole should be lowered slowly, not allowing sections to drop freely.

NOTE: Your AEP flagpole can be lowered or removed for storage in the event of extreme weather conditions, i.e. before a tornado or hurricane.

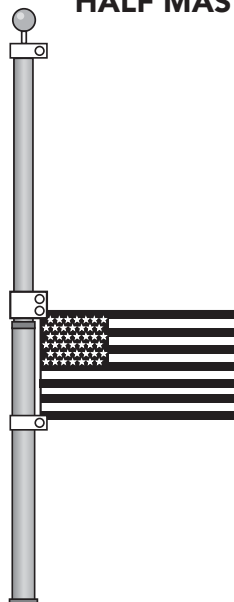
MAINTENANCE INSTRUCTIONS

STEP 1: The AEP series of flagpoles is virtually maintenance free. In order to clean the pole simply wipe the pole down with soap and water and then rinse clean.

ONE FLAG



ONE FLAG HALF MAST



TWO FLAGS

